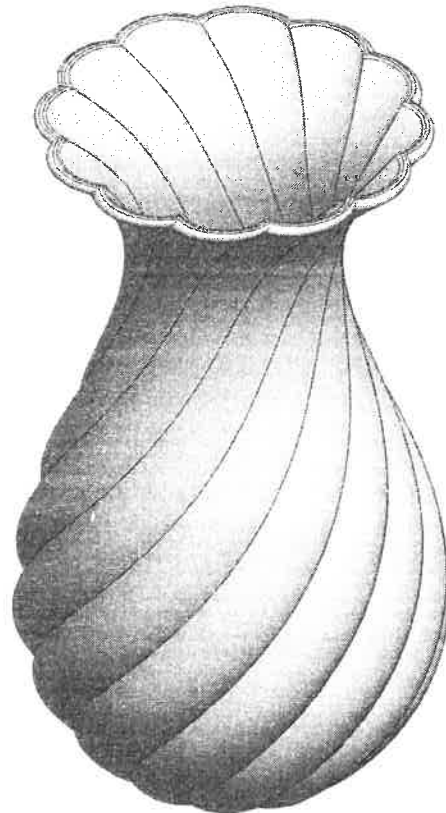


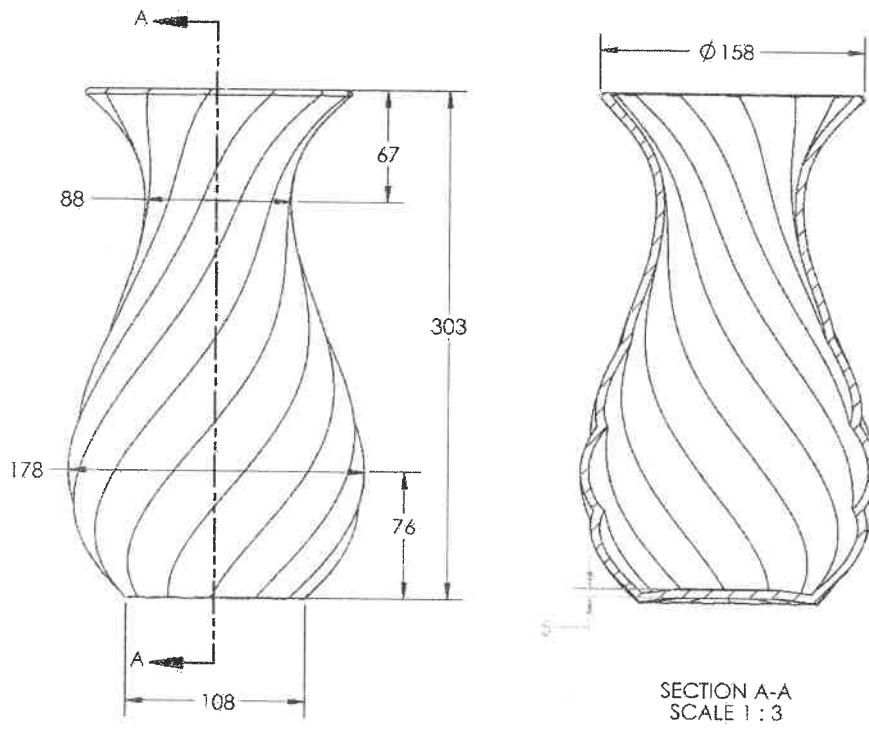
### Instructions to candidates:

1. Choose one of the models from the model list keeping in mind you will have to create a 3D model, then create a 3D printable file and they physically make the model.
2. **Part A** – Create a 3D model using either SolidWorks, 3D experience or Autodesk Fusion 360. Feel free to assume any dimension that may not be given in the 2D drawing. All dimensions are in mm.
3. **Part B** – Create a 3D printable file of the model you have made in .gcode format. Use flash print slicer available in the computer. Make sure you take into account the necessary supports and other considerations needed for 3D printing your chosen model.
4. **Part C** – Make a prototype of the model you have chosen by hand using either thermocole or synthetic clay or plaster of Paris (All necessary hand tools, raw materials will be provided to you). Make sure to scale the model if necessary to fit within a bounding box of 20 x 20 x20 cm. The hand made model should reasonably be similar to the 3D model you had made in Part A of the exam.

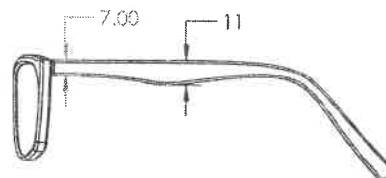
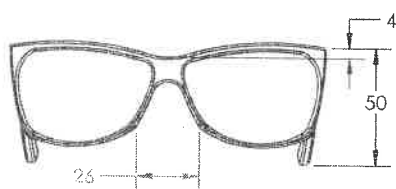
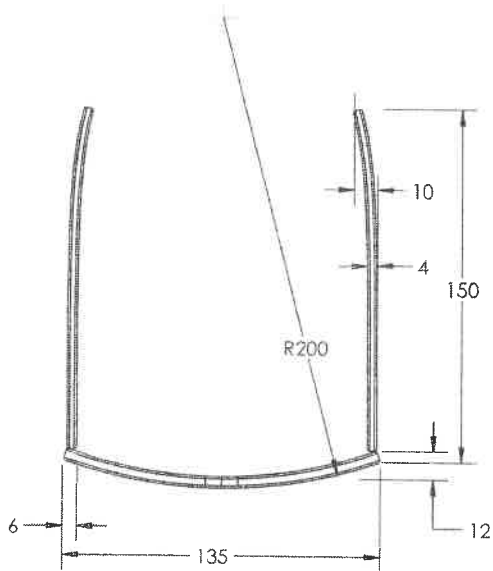
### Model list

1. Flower vase

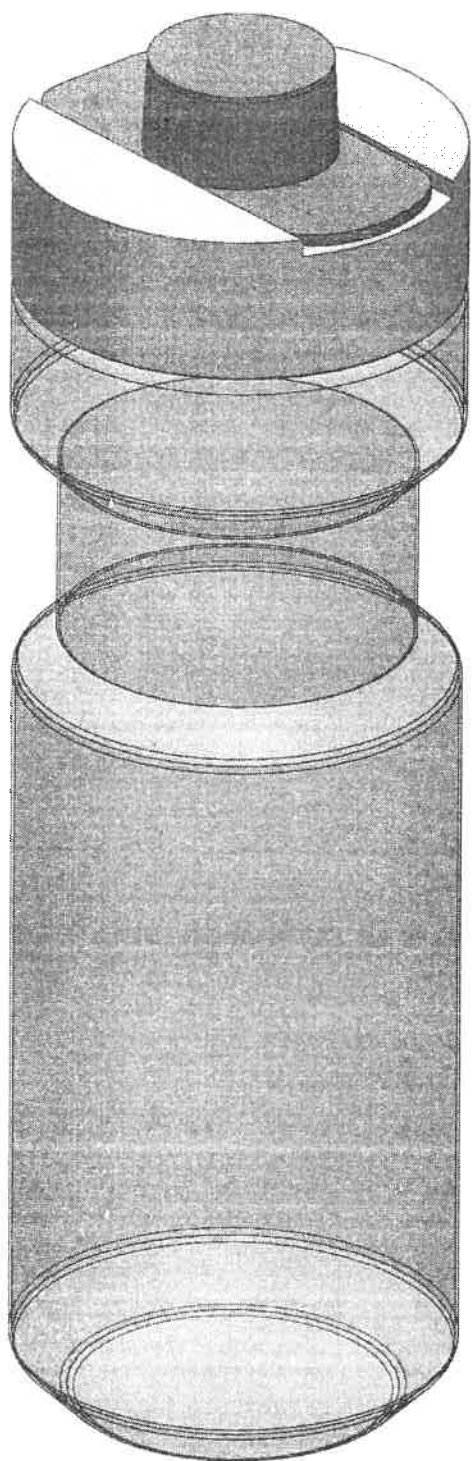


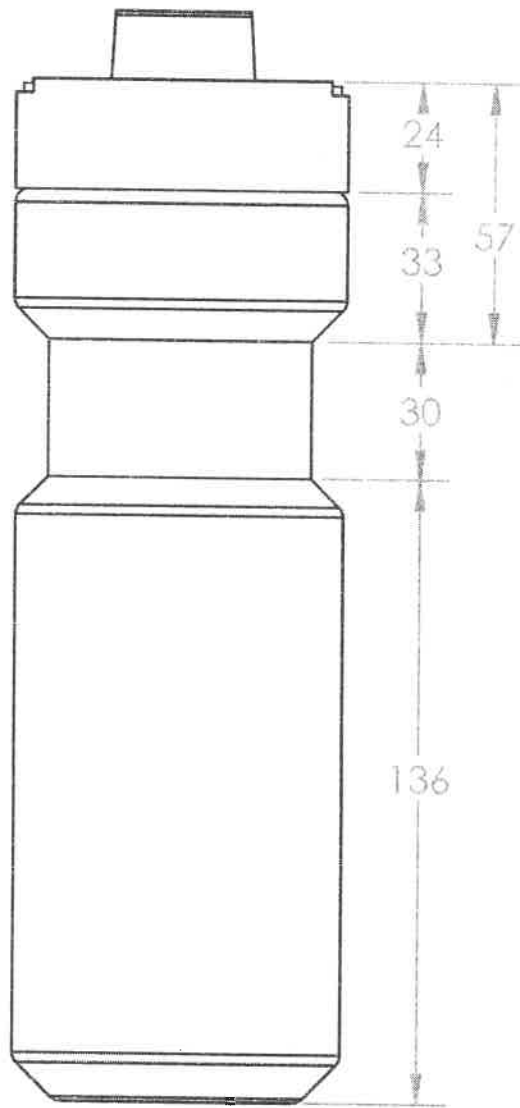
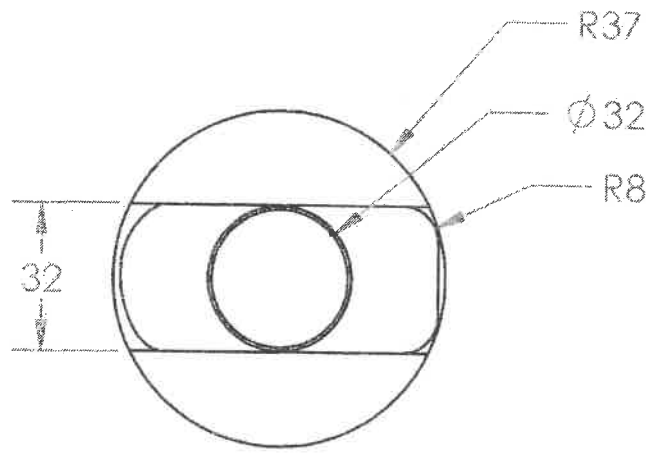


## 2. Sunglasses

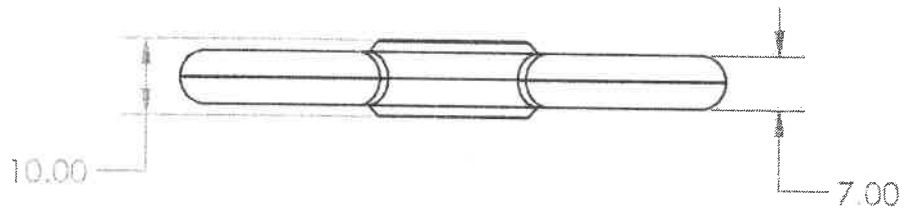
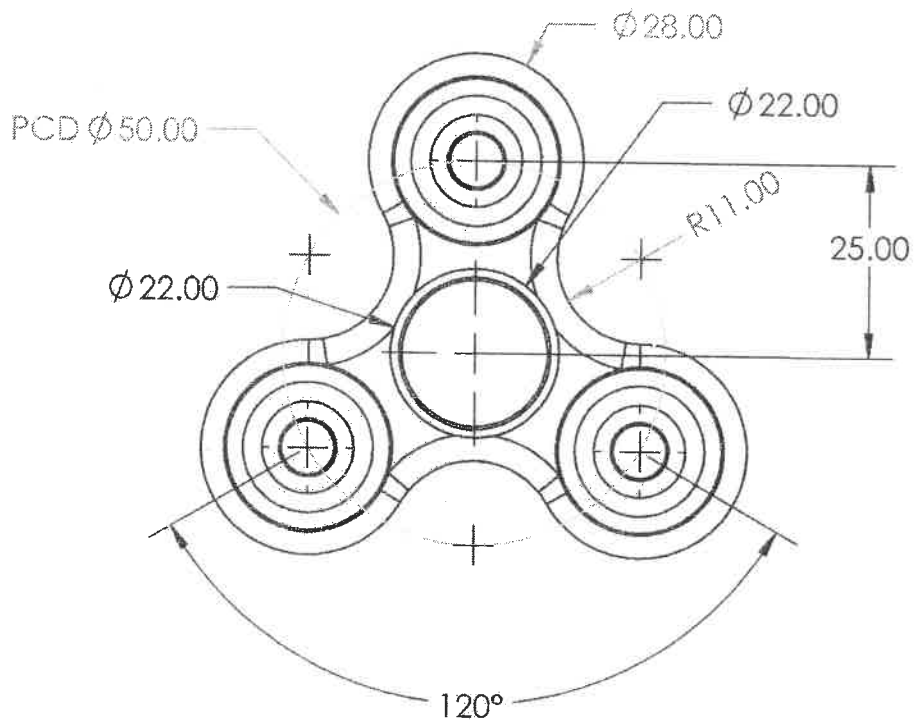
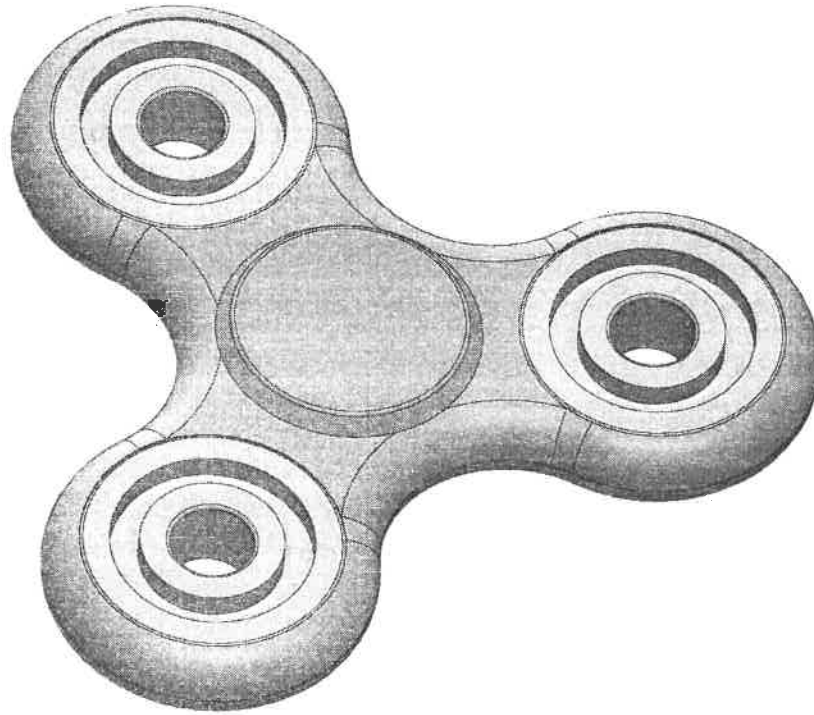


3. Water bottle

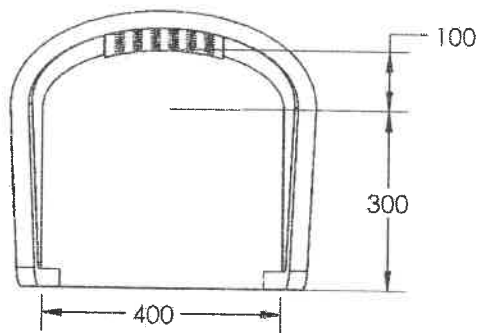
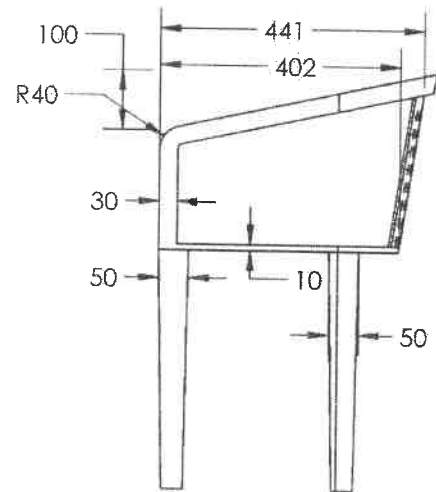
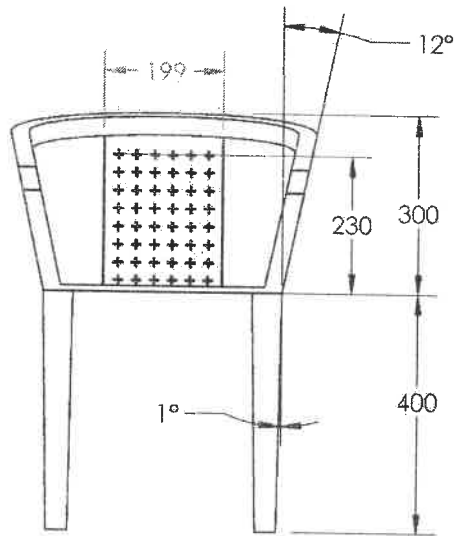
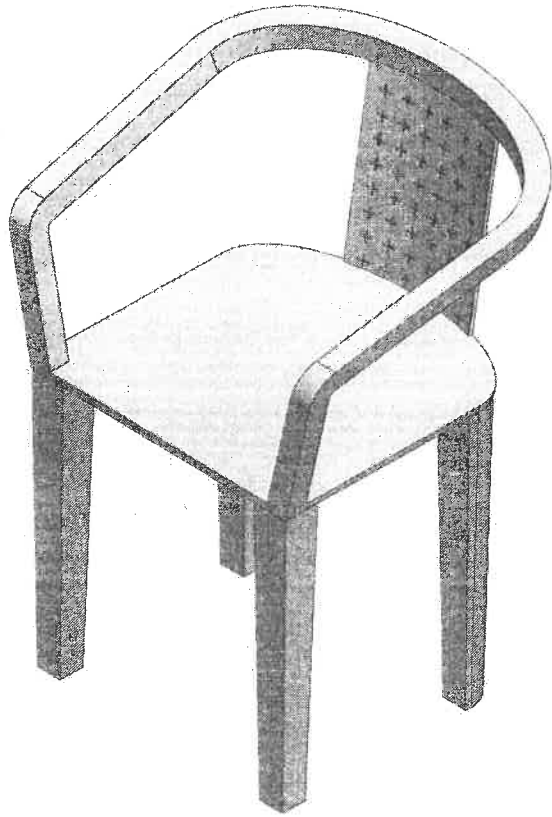




4. Fidget spinner



5. Chair



6. Tea pot

